

ENERGY USAGE AND COMFORT: GUARANTEED



Energy Guarantee

Each of our homes comes with a Built-In Savings Guaranty, which covers heating and cooling, lighting and appliances and hot water heating. The annual cost of energy in your home will not exceed the estimated energy cost for two years.

3 YEAR PLATINUM LIMITED HEATING & COOLING ENERGY USE & COMFORT GUARANTEE¹

ENVIRONMENTS FOR *Living*® **David Weekley Homes**

Home Address 1511 ETHENS GLEN DR LOT 8	Registration # 155767EFL	Annual Guaranteed Heating/Cooling Energy Use ("Guaranteed Usage") Electric (kWh): 3,047 Natural Gas (Thermal): 1,069	Estimated Average Monthly Heating/Cooling Cost : \$69.00 HERS® Index score for this plan : 65
Plan Name SB17 Westcott BSMT	Electric Provider DUKE ENERGY ELECT 04/12	Gas Provider VECTREN ENERGY AVG GAS 04...	

REGISTER YOUR HOME TODAY
To activate this Limited Guarantee you must register your Home at environmentsforliving.com/register or by calling (866) 912-7233 within 30 days of the date you close on the purchase of your Home. By registering your home, you agree to the terms and conditions set forth in this limited Guarantee including but not limited to the binding arbitration provision. For more information about the Environments For Living® program, visit environmentsforliving.com.

1 This Limited Guarantee is subject to the terms and conditions set forth on this page and the separate page of this guarantee. It is not to exceed an estimate and will vary with your actual cost of energy. This heating and cooling cost is based only on the utility rates shown and does not include taxes, surcharges or other fees charged by your utility provider. It is not to exceed an estimate and will vary with your actual cost of energy. The actual energy efficiency of your home as built, and your energy use, will vary depending on, among other things, occupancy, insulation, maintenance, and specific actual features and characteristics, and may be higher or lower than the HERS Index score shown above. Member of the David Weekley Homes Group. © 2014 David Weekley Homes Group. All rights reserved.

ENVIRONMENTS FOR *Living*®

The Environments for Living® program's Limited Guarantee is for Energy Usage for Heating and Cooling; it is not a guarantee of energy costs. See the Environments for Living program's Limited Guarantee for details. The estimated monthly costs for heating and cooling are based on electric and gas rates for identified utilities at the time of review. Take a look at a few of Houston's heating and cooling costs in different communities.

Square Footage	Projected HERS Index	Annual Heating Gas Fuel Use (CCF)	Annual Heating & Cooling Electric Fuel Use (kWh)	Estimated Heating & Cooling Annual Cost	Estimated Heating & Cooling Monthly Cost
X,XXX	61	582	6900	\$1,284	\$107
X,XXX	55	523	5663	\$1,080	\$90
X,XXX	56	582	6534	\$1,236	\$103
X,XXX	59	506	6099	\$1,128	\$94
X,XXX	59	404	5053	\$900	\$75

David Weekley Homes

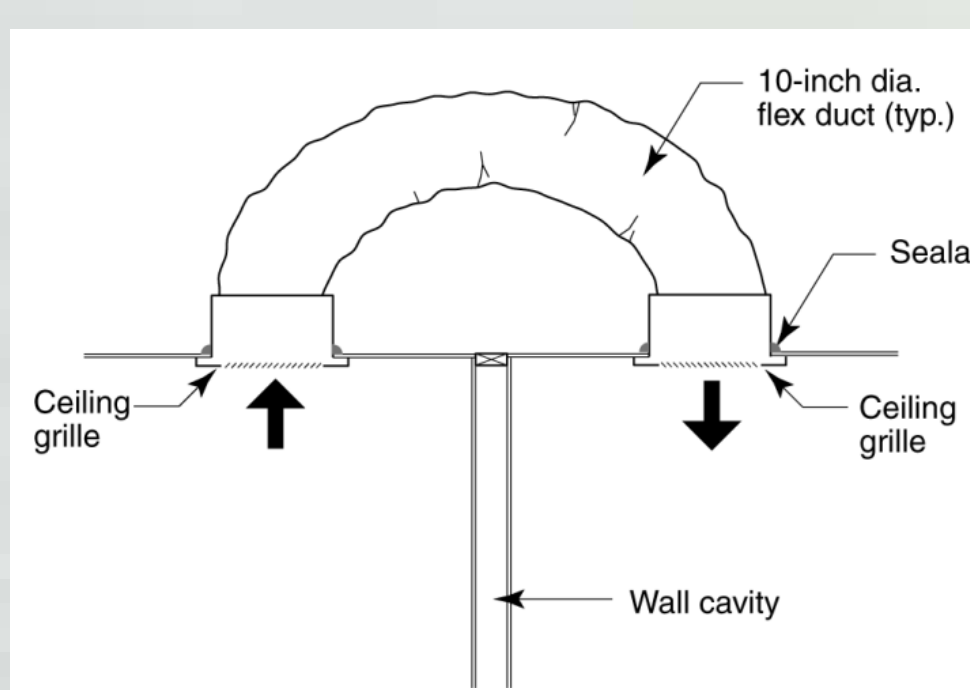
If your home's energy cost exceeds the estimate, EnergyPro Exchange Guarantee Co. will pay the excess, up to a matching amount, of the predicted cost.



David Weekley Homes ensures air quality and comfort with:



- Fresh Air System that improves air quality by reducing dust, odors and contaminants



- Jump Ducts and air pressure balancing even out temperatures between rooms, improving efficiency and increasing comfort